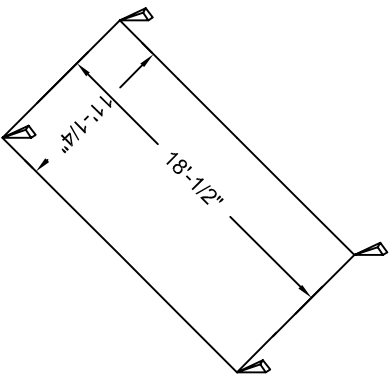




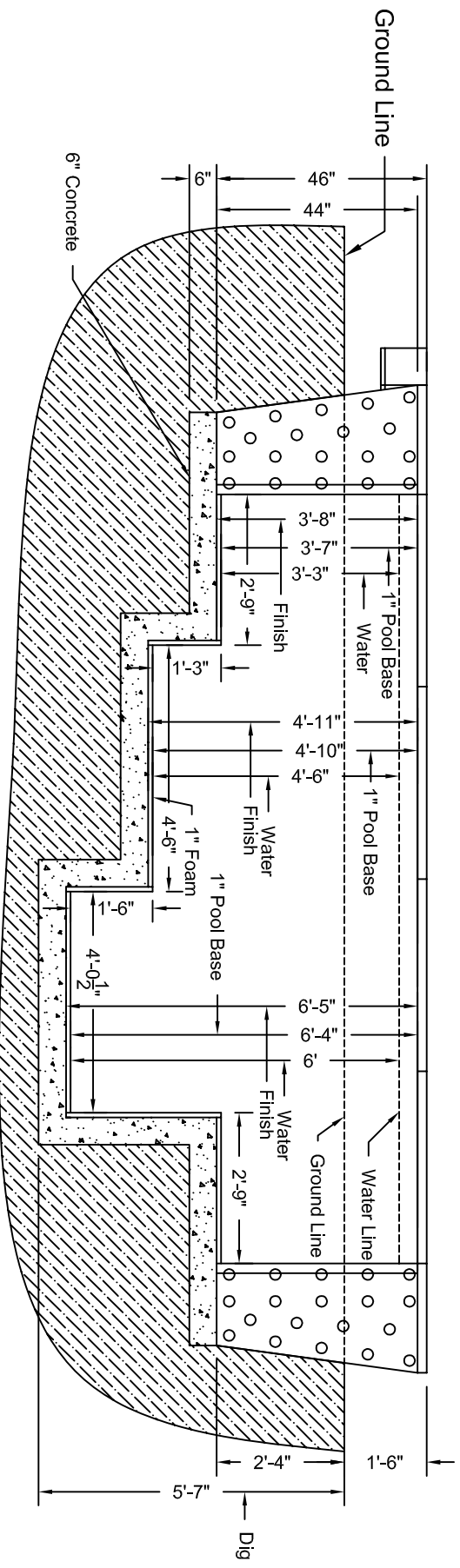
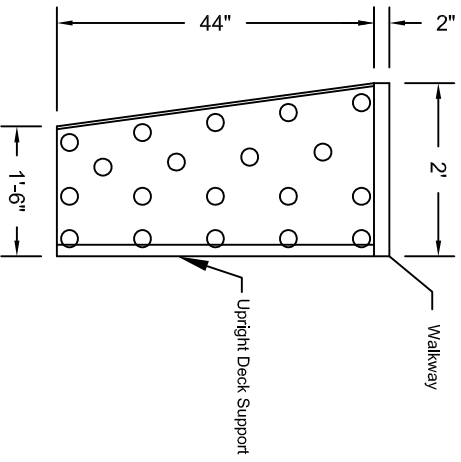
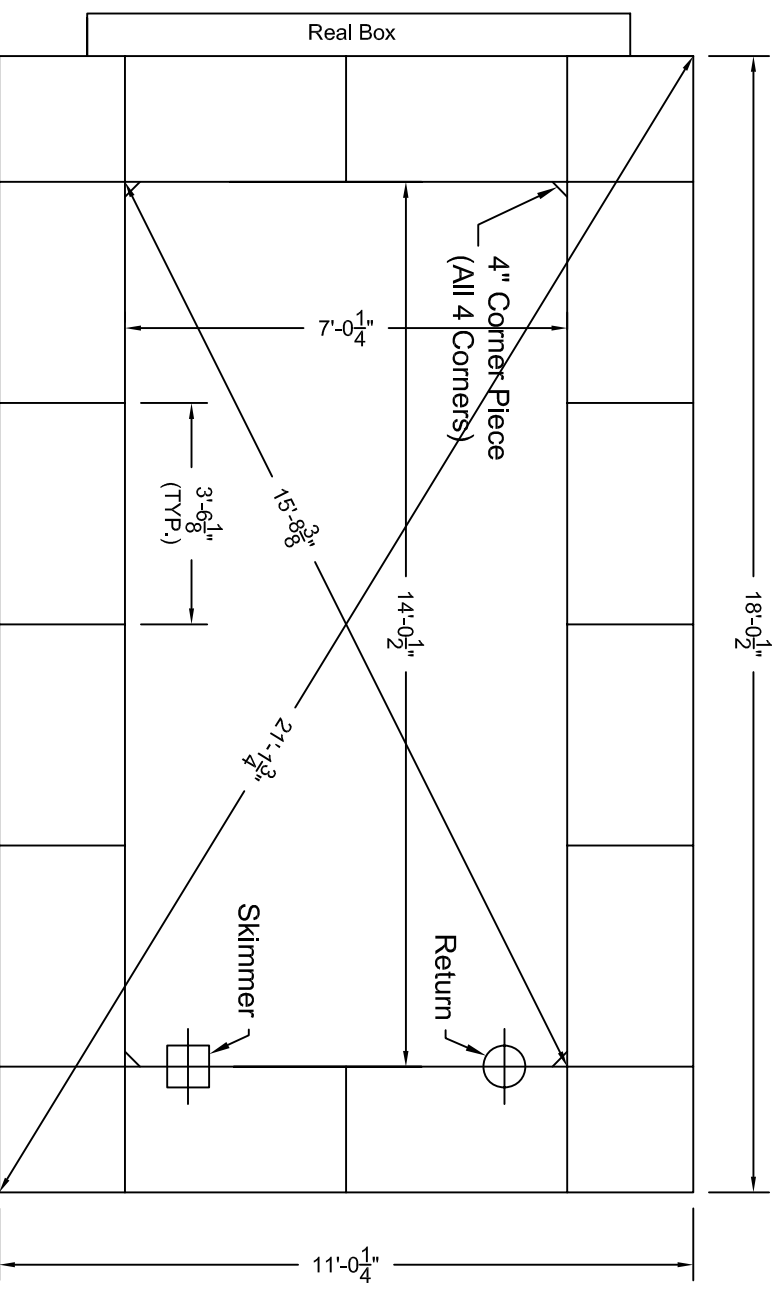
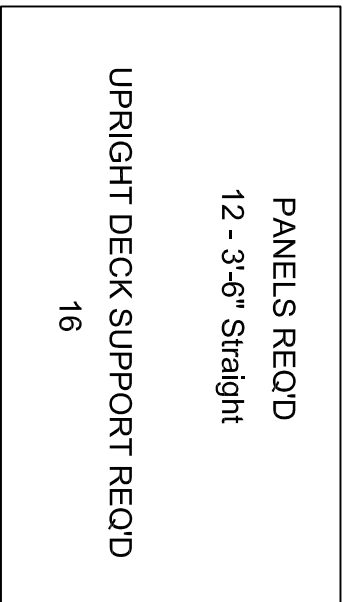
Deck Elevation
Point Guide Stake.

Stake Out
11'-1/4" x 18'-1/2"



A. Allow 24" extra Outside
Actual pool dimensions for
work space

B. Select pool deck elevation
for excavator to follow. All depth
dimensions are based on this point.



Date:	9-03-04	Sentry Pool	Vinyl Liner Steel
Surface Area:	99 SQ. FT.		Rectangle/Above Ground
Perimeter:	42'-1 1/2"	Drawn For:	7'-1/4" x 14'-1/2" x 44" Panel
Volume:	2,388 Gallons (Approx.)		NSPI TYPE 0
	# SP-714.2		